

NITECORE®

9500 Lumens

**TURBOREADY™**



**TM9K**

Trend Leader of the  
New Tactics

These images are for guide purpose only, actual result may vary depending on ambient factors.  
They are the intellectual property of Nitecore. All rights to take legal action are reserved.

**NITECORE®**  
**TM9K** *TURBO/READY™*  
9500 Lumens

9500 Lumens

## Astonishing Output Through the Darkness

Equipped with 9 x CREE XP-L HD V6 LEDs with a lifespan of 50,000 hours, the TM9K is endowed with an astonishingly high performance of a max peak beam intensity of 18,000cd and max throw of 268 meters.

Note: The LED lifespan data is from the CREE official website. The stated data is measured using the built-in battery (1 x 5,000mAh 21700 U-ion battery) under laboratory conditions. The data may vary in real world use due to different battery usage or environmental conditions.

These images are for guide purpose only, actual result may vary depending on ambient factors. They are the intellectual property of Nitecore. All rights to take legal action are reserved.



**NITECORE®**  
**TM9K** *TURBOREADY™*  
9500 Lumens



***TURBOREADY™*** Mode Button

## Instant Dazzle Strike at any Time

The tactical blazing output of 9,500 lumens combined with the TurboReady™ Mode Button enables an abrupt disturbance to your adversary during the day or at night.

These images are for guide purpose only, actual result may vary depending on ambient factors.  
They are the intellectual property of Nitecore. All rights to take legal action are reserved.

**NITECORE®**  
**TM9K** *TURBO/READY™*  
9500 Lumens



## CNC Machined Unibody Design

Constructed from aero grade aluminum alloy with HA III military grade hard-anodized finish, the TM9K has a CNC machined unibody design featuring lightweight, solidity and excellent heat dissipation.

These images are for guide purpose only, actual result may vary depending on ambient factors.  
They are the intellectual property of Nitecore. All rights to take legal action are reserved.

**NITECORE®**  
**TM9K** *TURBO/READY™*  
9500 Lumens



Built-in  **5000** mAh  
Energizing 21700 Li-ion Battery

Provides a consistent usage of **60 hours** on the ULTRALOW level of **30 lumens**.

These images are for guide purpose only, actual result may vary depending on ambient factors.  
They are the intellectual property of Nitecore. All rights to take legal action are reserved.

**NITECORE®**  
**TM9K** *TURBO/READY™*  
9500 Lumens



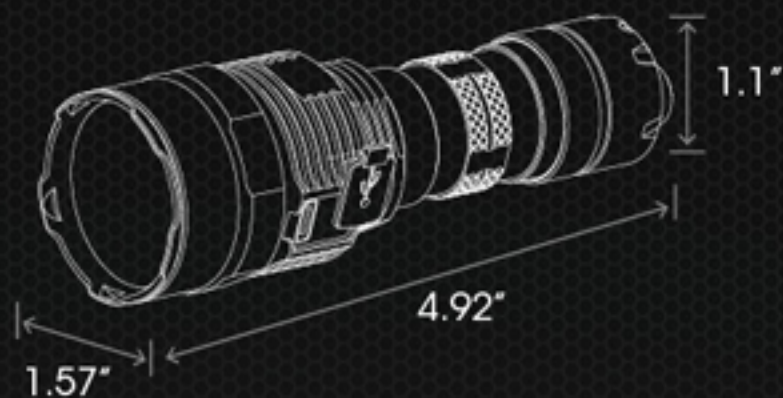
 USB-C Rechargeable

 Charges approx. 80% in 1h 45min

\* The stated data is tested in QC Mode via a QC adapter.  
These images are for guide purpose only, actual result may vary depending on ambient factors.  
They are the intellectual property of Nitecore. All rights to take legal action are reserved.

**NITECORE®**  
**TM9K** TURBO/READY™  
9500 Lumens

## Ultra Compact and Lightweight Body



Length	Weight	Head Diameter	Tail Diameter
4.92" 125mm	7.69 <sub>oz</sub> 218g	1.57" 40mm	1.1" 28mm



These images are for guide purpose only, actual result may vary depending on ambient factors.  
They are the intellectual property of Nitecore. All rights to take legal action are reserved.

**NITECORE®**  
**TM9K** *TURBO/READY™*  
9500 Lumens

## Ultimate Dual Tail Switch Design

### Tactical Tail Switch

For Momentary-on and Constant-on Illumination

### TurboReady™ Mode Button

For Output Adjustment and Accessing STROBE/TURBO



Tactical Tail Switch



*TURBO/READY™*  
Mode Button



These images are for guide purpose only, actual result may vary depending on ambient factors.  
They are the intellectual property of Nitecore. All rights to take legal action are reserved.



**NITECORE®**  
**TM9K** *TURBO/READY™*  
9500 Lumens

## Stainless Steel Strike Bezel

Ideal for self defense, glass breaking and night combat etc.

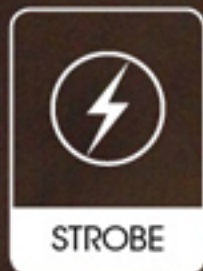
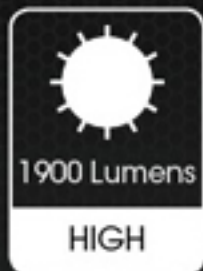
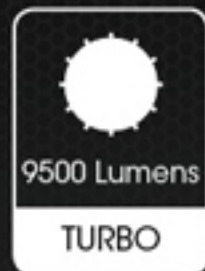


These images are for guide purpose only, actual result may vary depending on ambient factors.  
They are the intellectual property of Nitecore. All rights to take legal action are reserved.

**NITECORE®**  
**TM9K** *TURBO/READY™*  
9500 Lumens

## 5 Brightness Levels and STROBE Mode

The user-friendly interface enables intuitive and instant operations for tactical applications.



These images are for guide purpose only, actual result may vary depending on ambient factors.  
They are the intellectual property of Nitecore. All rights to take legal action are reserved.

**NITECORE®**  
**TM9K** *TURBO/READY™*  
9500 Lumens

## Unparalleled Tactical Performance



Photo Credit: Samolis, Jose Miguel, Vrg Fotografia

These images are for guide purpose only, actual result may vary depending on ambient factors.  
They are the intellectual property of Nitecore. All rights to take legal action are reserved.

**NITECORE®**  
**TM9K** TURBO/READY™  
9500 Lumens



## Lockout Mode Available

When in Lockout Mode, both buttons are unavailable to activate the flashlight so that the TM9K can be stored or transported in the pocket, the backpack or the suitcase.

These images are for guide purpose only, actual result may vary depending on ambient factors.  
They are the intellectual property of Nitecore. All rights to take legal action are reserved.

**NITECORE®**  
**TM9K** *TURBO/READY™*  
9500 Lumens



## Mode Memory

When reactivated, the TM9K will automatically access the previous memorized brightness level or STROBE Mode.

These images are for guide purpose only, actual result may vary depending on ambient factors.  
They are the intellectual property of Nitecore. All rights to take legal action are reserved.

**NITECORE®**  
**TM9K** *TURBO/READY™*  
9500 Lumens



## Thermal Protection Function

The TM9K will automatically lower its output to avoid overheating when accessing the TURBO or HIGH Level for a prolonged time.

These images are for guide purpose only, actual result may vary depending on ambient factors.  
They are the intellectual property of Nitecore. All rights to take legal action are reserved.

**NITECORE®**  
**TM9K** *TURBO/READY™*  
9500 Lumens



## Highly Efficient Constant Current Circuit (Non-PWM)

The constant brightness beam without flashing guarantees the comfortable visual experience.

TM9K (Constant Brightness Without Flashing)



PWM Circuit (Flashing Brightness)



These images are for guide purpose only, actual result may vary depending on ambient factors.  
They are the intellectual property of Nitecore. All rights to take legal action are reserved.

**NITECORE®**  
**TM9K** *TURBO/READY™*  
9500 Lumens



## All Weather Applicable

- IP68 Rated
- 2m Submersible
- 1m Impact Resistant

\*These are maximum values for reference only, actual result may vary depending on ambient factors.  
© 2023 Nitecore Inc. All rights reserved. Nitecore is a registered trademark of Nitecore. All rights to take legal action are reserved.



**NITECORE®**  
**TM9K** *TURBO/READY™*  
9500 Lumens

## TM9K Technical Data

	TURBO	HIGH	MID	LOW	ULTRALOW	STROBE
Brightness	9500 Lumens	1900 Lumens	460 Lumens	130 Lumens	30 Lumens	9500 Lumens
Runtime	---	3h	4h30min	14h	60h	---
Beam Distance	268m	115m	57m	30m	15m	---
Peak Beam Intensity	18000cd	3340cd	820cd	220cd	56cd	---
Impact Resistance	1m (Impact Resistance)					
Water Resistance	IP68, 2m (Waterproof and Submersible)					

Note: The stated data is measured using the built-in battery (1 x 5,000mAh 21700 Li-ion battery) under laboratory conditions. The data may vary in real world use due to different battery usage or environmental conditions.



These images are for guide purpose only, actual result may vary depending on ambient factors. They are the intellectual property of Nitecore. All rights to take legal action are reserved.

# NITECORE®

## TM9K TURBO/READY™

9500 Lumens

## Features

- ▶ Utilizes 9 x CREE XP-L HD V6 LEDs with a max output of 9,500 lumens
- ▶ Maximum beam intensity of 18,000cd and maximum throw of 268 meters
- ▶ An optical system combined with crystal coating and "Precision Digital Optics Technology" (PDOT)
- ▶ Lightweight and rigid CNC machined unibody design provides superior heat dissipation capability
- ▶ Built-in 5,000mAh 21700 rechargeable Li-ion battery
- ▶ Intelligent Li-ion battery charging circuit with a USB-C port
- ▶ Highly efficient constant current circuit provides a stable output for up to 60 hours
- ▶ Dual tail switches enable intuitive operations for tactical applications
- ▶ TurboReady™ Technology (9,500 Lumens)
- ▶ The power indicator beside the dual switches indicates the remaining battery power
- ▶ The power indicator can display the battery voltage ( $\pm 0.1V$ )
- ▶ Optical lenses with double-sided scratch resistant coating
- ▶ Constructed from aero grade aluminum alloy
- ▶ HA III military grade hard-anodized finish
- ▶ Rating in accordance with IP68 (2 meters submersible)
- ▶ Impact resistant to 1 meter



These images are for guide purpose only. Actual results may vary depending on ambient factors.  
They are the intellectual property of Nitecore. All rights to take legal action are reserved.